

# CS 134 Lecture 28:

## Tic Tac Toe 4

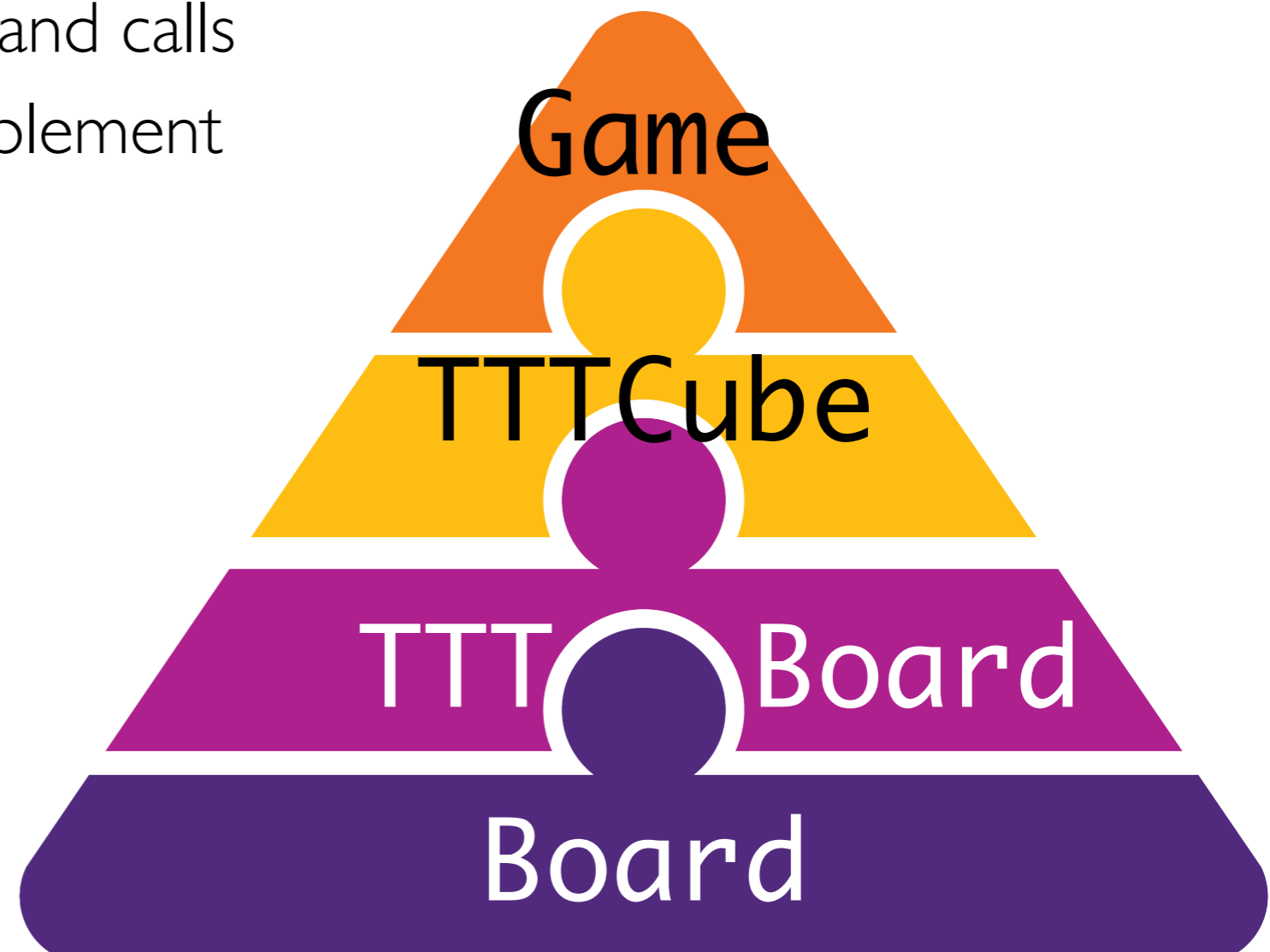
# Announcements & Logistics

- **Lab 9 Boggle:** two-week lab now in progress!
  - **Part 1** due tonight/tomorrow 10 pm
  - Will return auto-tester feedback on it on Friday
  - You can fix anything broken before turning in Part 2
  - Must turn in *something* to get Part 2 grade apply to both
  - **Part 2** due May 1/2 (handout will be posted soon)
  - Part 2 also has a **prelab!**
    - Asks you to draw out the Boggle game logic (similar to TTT logic we will discuss today)

**Do You Have Any Questions?**

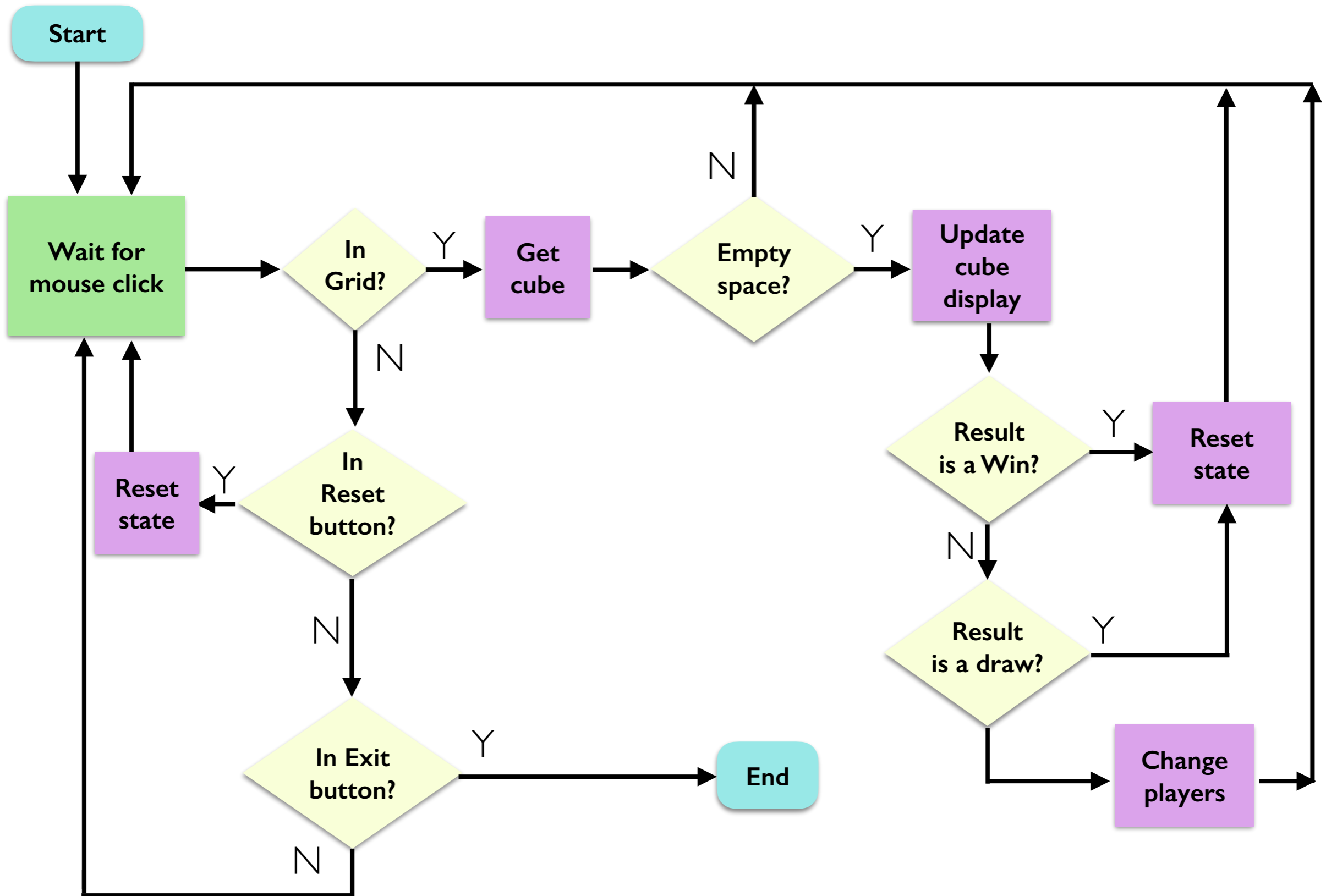
# Last Time and Today

- Implemented TTTCube and TTTBoard classes
- Today: wrap up the game
  - Implement TTTGame class
  - Talks to each of the classes and calls appropriate methods to implement game logic
- TTT vs Boggle discussion



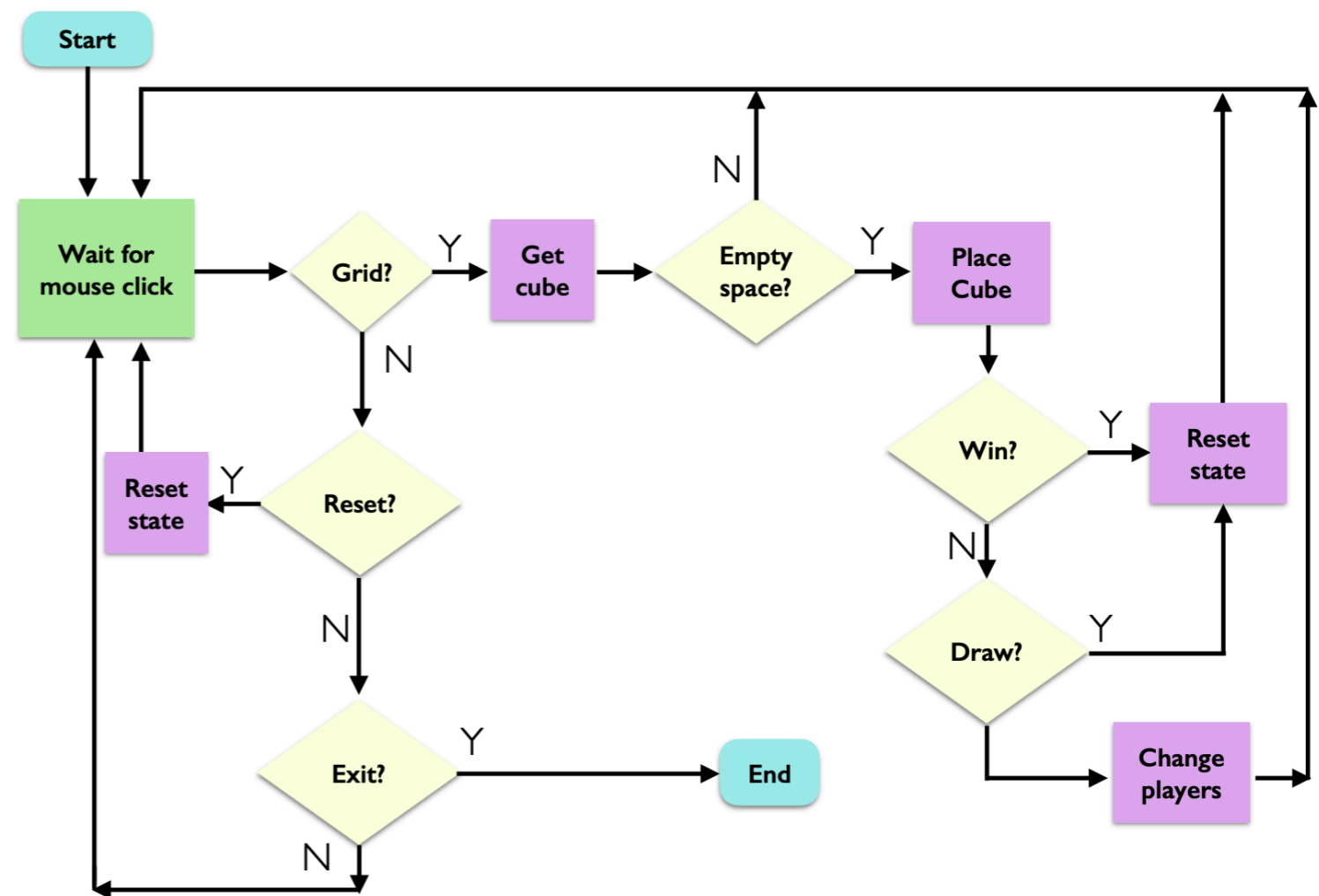
# TTT Game Logic

# TTT Game Logic



# Translating our Logic to Code

- Let's think about `__init__`:
- What do we need?
  - a **board**, player, and maybe **num\_moves** (to detect draws easily)



# Translating our Logic to Code

- Now let's write a method for handling a single mouse click (point)
- The game continues (waits for more clicks) if this method returns True
- If this method returns False, game ends

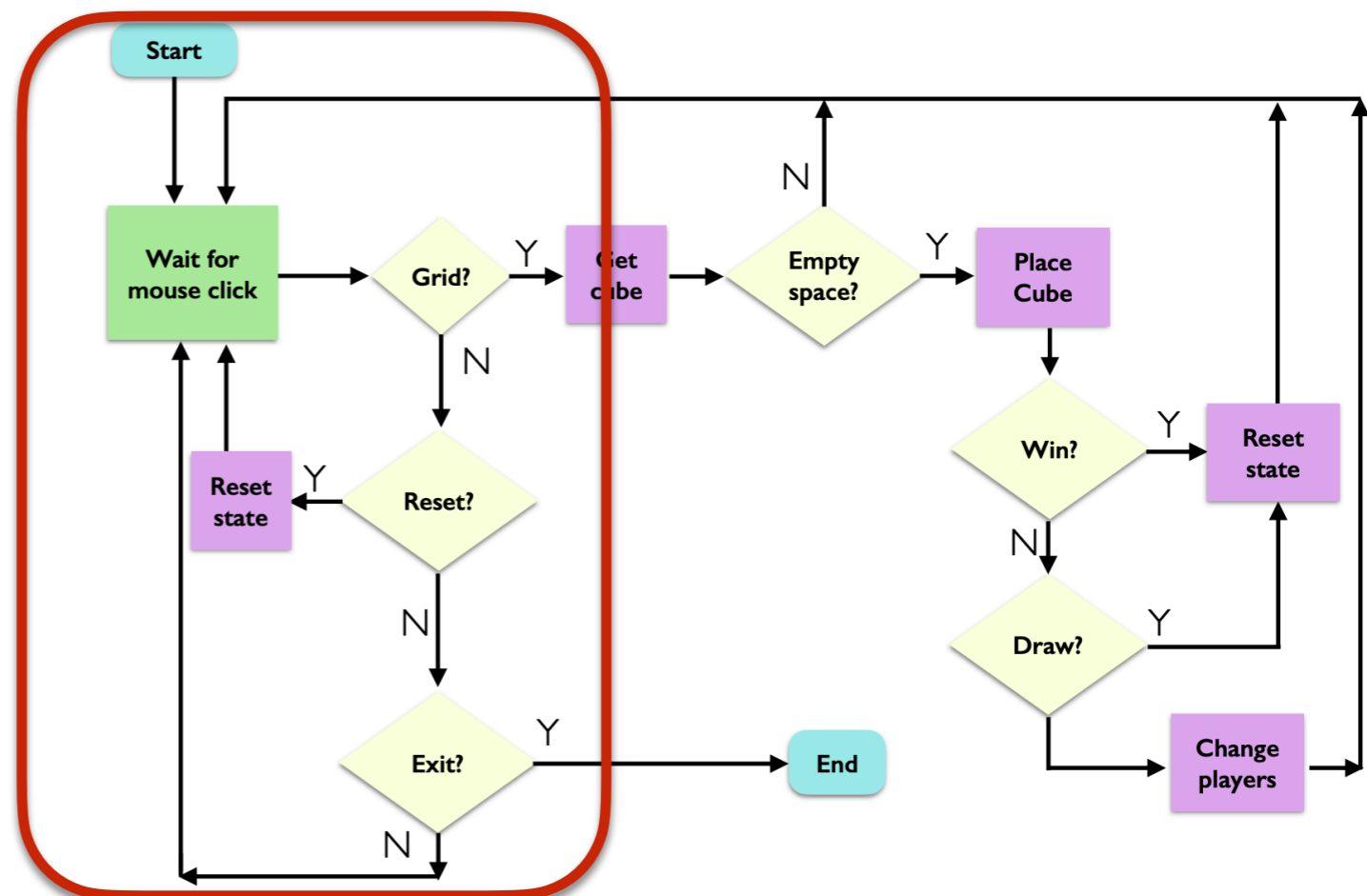
```
def do_one_click(self, point):
```

```
# step 1: check for exit button  
if self._board.in_exit(point):  
    # TODO
```

```
# step 2: check for reset button  
elif self._board.in_reset(point):  
    # TODO
```

```
# step 3: check if click on the grid  
elif self._board.in_grid(point):  
    # TODO
```

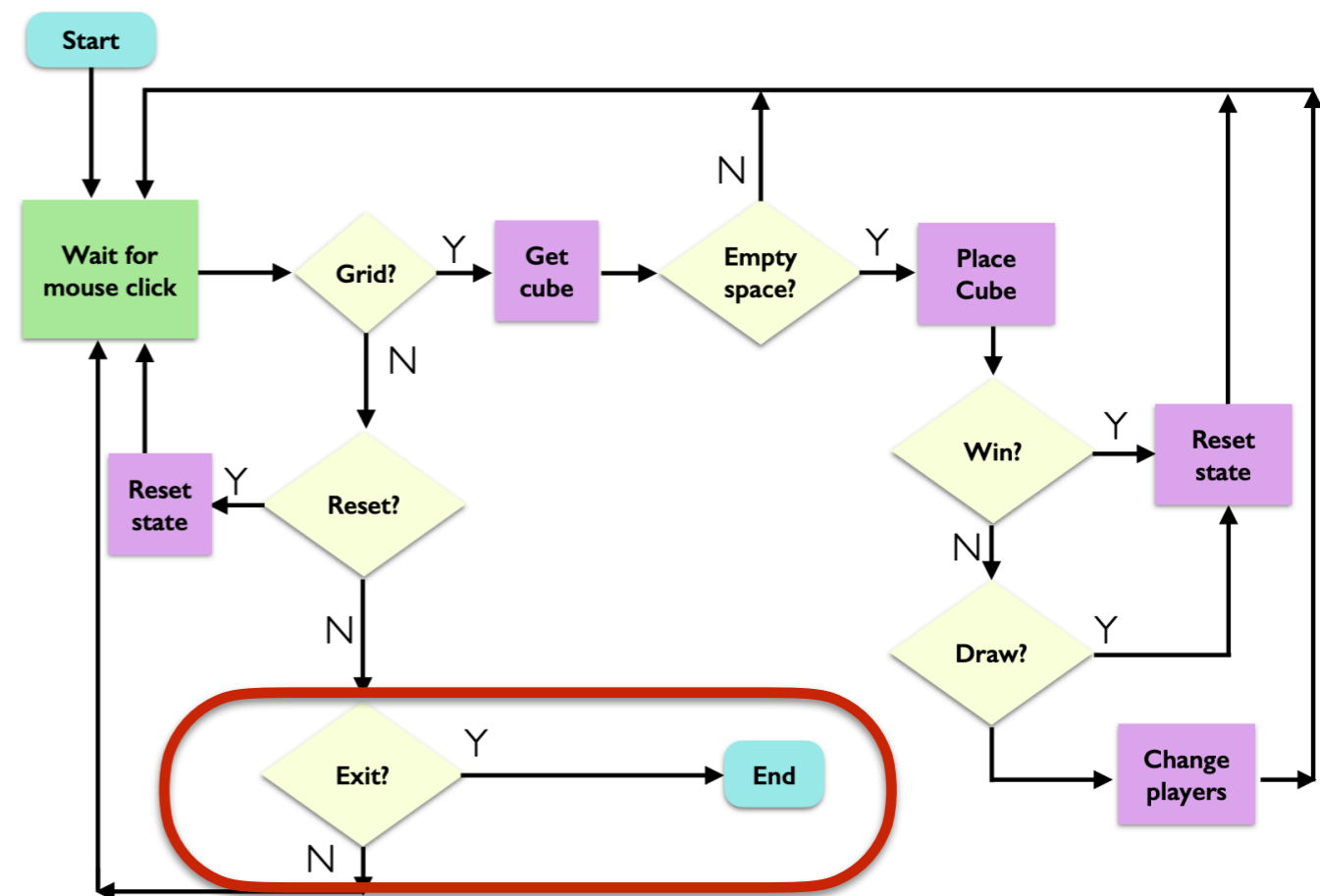
```
# keep going!  
return True
```



# Translating our Logic to Code

- Let's handle the "exit" button first (since it's the easiest)

```
if self._board.in_exit(point):  
    print("Exiting...")  
    # game over  
    return False
```

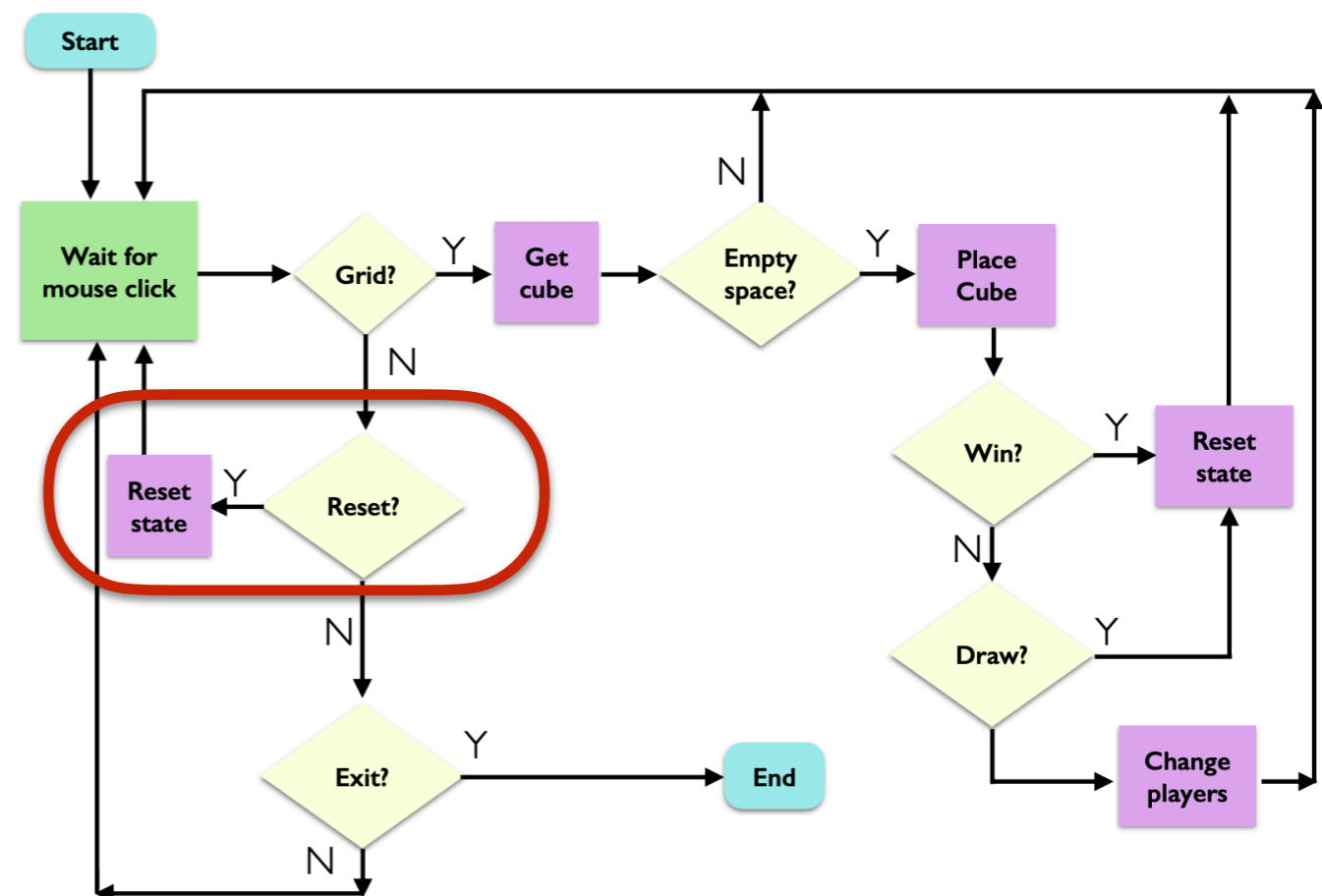




# Translating our Logic to Code

- Now let's handle reset

```
elif self._board.in_reset(point):  
    print("Reset button clicked")  
    self._board.reset()  
    self._board.set_string_to_upper_text("")  
    self._num_moves = 0  
    self._player = "X"
```



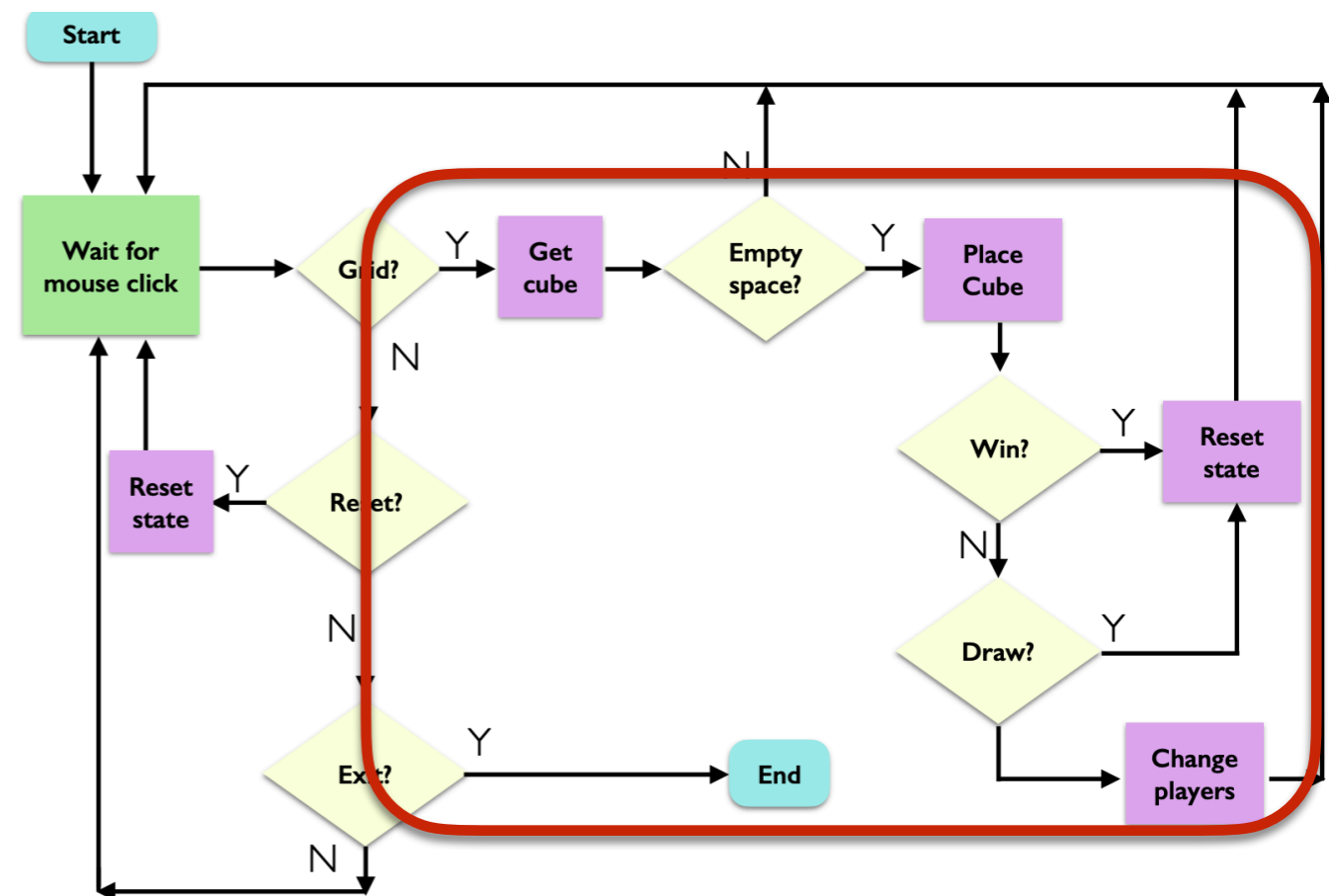
# Translating our Logic to Code

- Finally, let's handle a "normal" move. Start by getting point and TTTCube

```
elif self._board.in_grid(point):
```

```
# get the cube at the point the user clicked
```

```
tcube = self._board.get_ttt_cube_at_point(point)
```



# Translating our Logic to Code

- The rest of our code checks for a valid move, a win, a draw, and updates state accordingly
  - At the end, if the move was valid, we swap players
- ```
elif self._board.in_grid(point):  
  
    # get the cube at the point the user clicked  
    tcube = self._board.get_ttt_cube_at_point(point)  
  
    # make sure this square is vacant  
    if tcube.get_letter() == "":  
        tcube.set_letter(self._player)  
        tcube.place_cube(self._board)  
  
        # valid move, so increment num_moves  
        self._num_moves += 1  
  
        # check for win or draw  
        win_flag = self._board.check_for_win(self._player)  
        if win_flag:  
            self._board.set_string_to_upper_text(self._player + " WINS!")  
        elif self._num_moves == self._board.get_rows()  
            * self._board.get_cols():  
            self._board.set_string_to_upper_text("DRAW!")  
        # not a win or draw, swap players  
        else:  
            # toggle player!  
            self._player = "O" if self._player == "X" else "X"  
  
    # keep going!  
    return True
```

# TTT Summary

- Basic strategy
  - **Board**: start general, don't think about game specific details
  - **TTTBoard**: extend generic board with TTT specific features
    - Inherit everything, update attributes/methods as needed
  - **TTTCube** isolate functionality of a single TTT cube on board
    - Think about what features are necessary/helpful in other classes
  - **TTTGame**: think through logic conceptually before writing any code
    - Translate logic into code carefully, testing along the way

Class Discussion:

Boggle vs TTT Design Differences

Special Methods/Magic Methods

# Special Methods

- Start and end with `__` (double underscore)
  - Called magic methods (or informally dunder methods)
- Often not called explicitly using dot notation and called by other means
- What special methods have we already used seen/used so far?
- **`__init__(self, val)`**
  - When is it called?
    - Automatically when we **create** an instance (object) of the class
    - Can also be invoked as **`obj.__init__(val)`** (where **`obj`** is an instance of the class)

# Special Methods

- **`__str__(self)`**

- When is it called?

- When we ***print*** an instance of the class using `print(obj)`

- Also called whenever we call `str` function on it: `str(obj)`

- Can also be invoked as `obj.__str__()`

- **`__repr__(self)`**

- Also returns a string but its format is very specific (can be used to recreate the object of the class)

- Useful for debugging

- Don't worry about any more specifics for this class



# Special Methods for Operators

- We can use mathematical and logical operators such as `==/+` to compare/add two objects of a class by defining the corresponding special method
- Example of polymorphism (using a single method or operator for different uses)

- `__eq__` (`self`, `other`):

`x == y`

- `__ne__` (`self`, `other`):

`x != y`

- `__lt__` (`self`, `other`):

`x < y`

- `__gt__` (`self`, `other`):

`x > y`

- `__add__` (`self`, `other`):

`x + y`

- `__sub__` (`self`, `other`):

`x - y`

- `__mul__` (`self`, `other`):

`x * y`

`__add__`: why we can concatenate sequences with `+` as well as add ints with `+`

- There are many others!

# Special Method: `__len__`

- `__len__(self)`
  - Called when we use the built-in function `len()` in Python on an object `obj` of the class: `len(obj)`
  - We can call `len()` function on any object whose class has the `__len__()` special method implemented
  - All built-in collection data types we saw (string, list, range, tuple, set, dictionaries) have this special method implemented
  - This is why we are able to call `len` on them
- What is an example of a built-in type that we can't call `len` on?
  - `int, float, Bool, None`

# Other Special Methods for Sequences

- What other sequence operators have we used in this class?
- They each have a special method that is called whenever they are used
  - **Get** an item at an index a sequence using `[ ]`: calls `__getitem__`
    - e.g., `word_lst[2]` implicitly calls `word_lst.__getitem__(2)`
  - **Set** an item at an index to another `val` using `[ ]`: calls `__setitem__`
    - e.g., `word_lst[0] = "hello"` implicitly calls `word_lst.__setitem__(0, "hello")`

# **in** Operator: `__contains__`

- `__contains__(self, val)`
  - When we say `if elem in seq` in Python:
    - Python calls the `__contains__` special method on `seq`
    - That is, `seq.__contains__(elem)`
- If we want the `in` operator to work for the objects of our class, we can do so by implementing the `__contains__` special method

# Iteration Special Methods

- What if we want to "iterate" over an object of our class in a for loop?
- We can achieve this by implementing appropriate special methods:
  - A for loop in Python can iterate over any object whose class has the special methods `__iter__` and `__next__` defined
  - Such objects are called *iterables*
- We can make objects of our class iterable by defining these methods appropriately

# [Extra] For loop: Behind the Scenes

```
# a simple for loop to iterate over a list
```

```
for item in num_lst:  
    print(item)
```

- Behind the scenes, the for loop is simply a while loop in disguise, driving iteration within a **try-except** statement. The above loop is really:

```
try:
```

```
    it = iter(num_lst)
```

Call the **iter** method on object

```
    while True:
```

```
        item = next(it)
```

```
        print(item)
```

Access the **next** item if it exists, then print it

```
except StopIteration:
```

```
    pass
```

This is a way to “hide” the error

# Takeaway

- We can implement any of these functionalities that built-in types enjoy for objects of our own class by defining the appropriate special methods